

DE 140 Polar / DE 140 Q Polar In-Wall / In-Ceiling Speaker



Description

The smallest model in the Polar® speaker series. It offers all the great features of Polar® technology in a compact footprint, including outstanding omnidirectional behavior and perfect linearity.

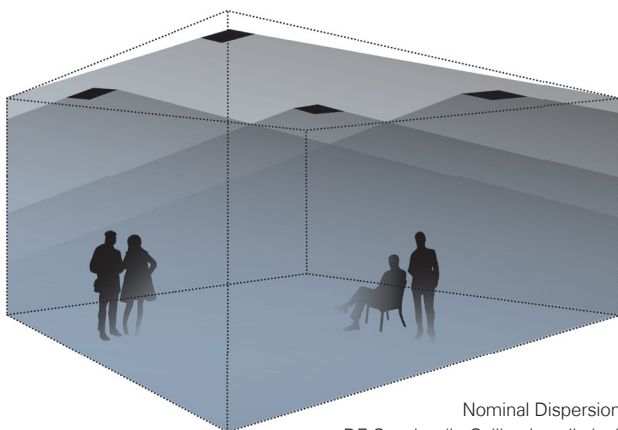
The DE 140 Polar dynamically reproduces music and speech with exceptional clarity, and guarantees ideal sound distribution, even when there are only a few speakers in a room. The DE 140 Polar is used in commercial and home installations where outstanding sound quality is a must.

Special Features

- 2-way system with Polar® technology
- 180° dispersion
- Perfect sound distribution with
- a small number of loudspeakers
- Very linear frequency response
- Small dimensions and installation depth
- 4" woofer + 1" dome tweeter
- 60 watts power capacity
- 8 ohms and 100 V versions
- Round or square
- Standard finish: white or stainless steel
- Moisture proof

Fields of Application

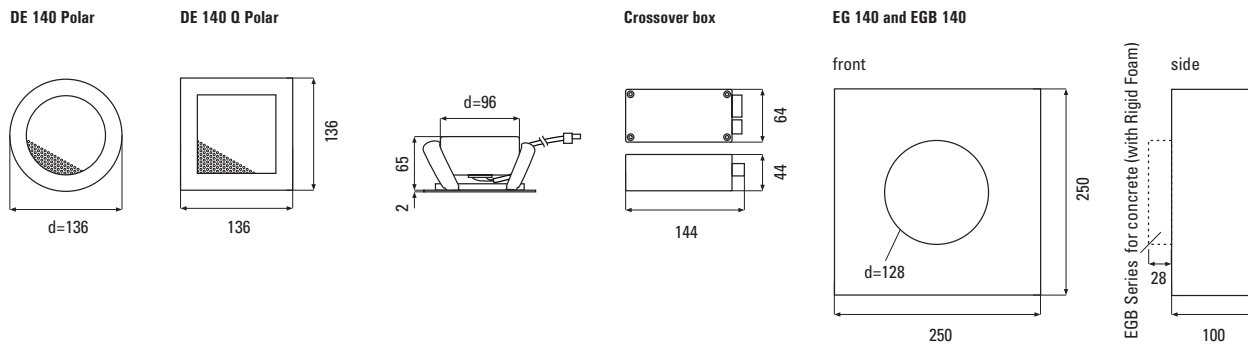
- Conference rooms
- Exhibitions, trade fairs
- Gastronomy, hotels
- Home audio
- Shops, sales rooms
- Surround systems



Nominal Dispersion
DE-Speaker (In-Ceiling Installation)

DE 140 Polar / DE 140 Q Polar In-Wall / In-Ceiling Speaker

Dimensions



Technical Data

Principle	2-way loudspeaker with Polar® technology and crossover in external box
Components	4" woofer + 1" dome tweeter
Frequency range	76 Hz – 21 kHz
Impedance	8 ohms
Power capacity	RMS 30 watts, program 60 watts
Sensitivity	84 dB SPL (1 W@1 m), half-space (flush mounted)
Maximum SPL	102 dB @ 1 m, 100 V version: 99 dB @ 1 m
Nominal dispersion	180°
Dimensions	DE 140 Polar: Ø 136 mm DE 140 Q Polar: 136 × 136 mm
Cutout size	Ø 128 mm
Installation depth	68 mm
Weight	1.2 kg
Connectors	Screw type terminals, pluggable
Warranty	5 years

Model

Version

DE 140 Polar White	Round, RAL 9016
DE 140 Polar Stainless Steel	1.4301, brushed
DE 140 T Polar White	Round, 100-V versions
DE 140 T Polar Stainless Steel	Power 7.5/15/30 watts
DE 140 Q Polar White	Square, RAL 9016
DE 140 Q Polar Stainless Steel	1.4301, brushed
DE 140 QT Polar White	Square, 100-V versions
DE 140 QT Polar Stainless Steel	Power 7.5/15/30 watts

Other colours and versions on request

Accessories

EG 140  Back box
Dim.: 250 × 250 × 100 mm

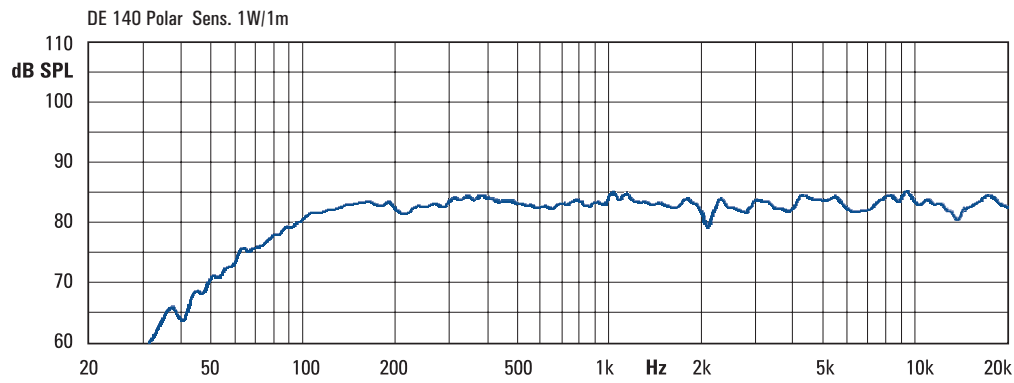
EGB 140  Back box for concrete
Dim.: 250 × 250 × 100 mm
(incl. PVC rigid foam)



Driver block without assembly frame

DE 140 Polar / DE 140 Q Polar In-Wall / In-Ceiling Speaker

Measuring Diagrams



DE 140 Polar half space Directivity Plot

