



DE 170 Polar / DE 170 Q Polar In-Wall / In-Ceiling Speaker



Description

A powerful 5.25" in-ceiling speaker equipped with Polar® technology for outstanding omnidirectional behaviour. The DE 170 Polar is fitted with a high power woofer with rubber surround and a 25-mm neodymium dome tweeter.

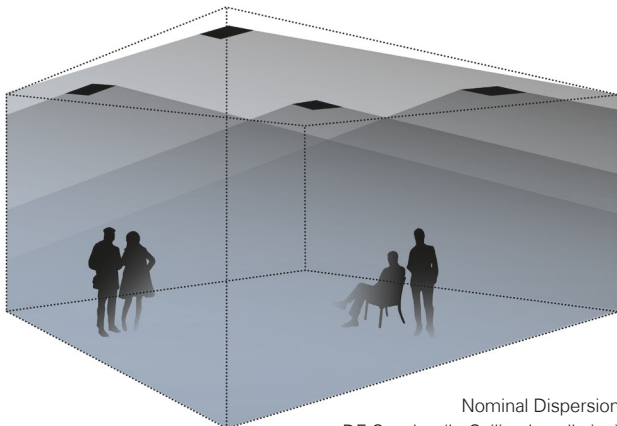
The DE 170 Polar has a very linear frequency response and particularly natural sound characteristics thanks to the elaborate crossover in an external box.

Special Features

- 2-way system with Polar® technology
- 180° dispersion
- Perfect sound distribution with a small number of loudspeakers
- Very linear frequency response
- Small dimensions and installation depth
- 5.25" woofer + 1" dome tweeter
- 80 watts power capacity
- 8 ohm and 100 V versions
- Round or square
- Standard finish: white or stainless steel
- Moisture proof

Fields of Application

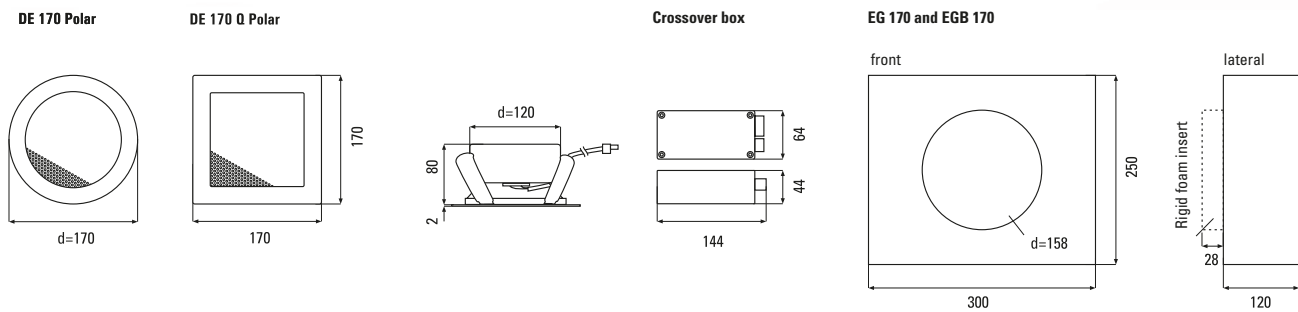
- Conference rooms
- Exhibitions, trade fairs
- Gastronomy, hotels
- Home audio
- Shops, sales rooms
- Surround systems



Nominal Dispersion
DE-Speaker (In-Ceiling Installation)

DE 170 Polar / DE 170 Q Polar In-Wall / In-Ceiling Speaker

Dimensions



Technical Data

Principle	2-way loudspeaker with Polar® technology and crossover in external box
Components	5.25" woofer + 1" dome tweeter
Frequency range	60 Hz – 21 kHz
Impedance	8 ohms
Power capacity	RMS 40 watts, program 80 watts
Sensitivity	85 dB SPL (1 W@1 m), half-space (flush mounted)
Maximum SPL	104 dB @ 1 m, 100 V version: 100 dB @ 1 m
Nominal dispersion	180°
Dimensions	DE 170 Polar: \varnothing 170 mm DE 170 Q Polar: 170 × 170 mm
Cutout size	\varnothing 158 mm
Installation depth	85 mm
Weight	1.2 kg
Connectors	Screw type terminals, pluggable
Warranty	5 years



Model

Version

DE 170 Polar White	Round, RAL 9016
DE 170 Polar Stainless Steel	1.4301, brushed
DE 170 T Polar White	Round, 100 V versions
DE 170 T Polar Stainless Steel	Power 7.5/15/30 watts
DE 170 Q Polar White	Square, RAL 9016
DE 170 Q Polar Stainless Steel	1.4301, brushed
DE 170 QT Polar White	Square, 100 V versions
DE 170 QT Polar Stainless Steel	Power 7.5/15/30 watts

Other colours and versions on request

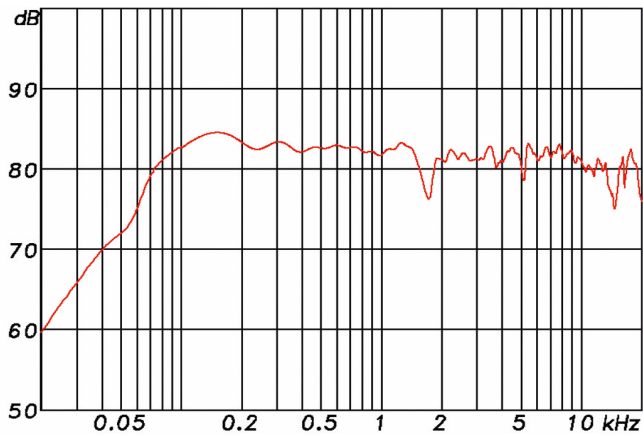
Accessories

EG 170		Back box Dim.: 300 × 250 × 120 mm
EGB 170		Back box for concrete Dim.: 300 × 250 × 120 mm

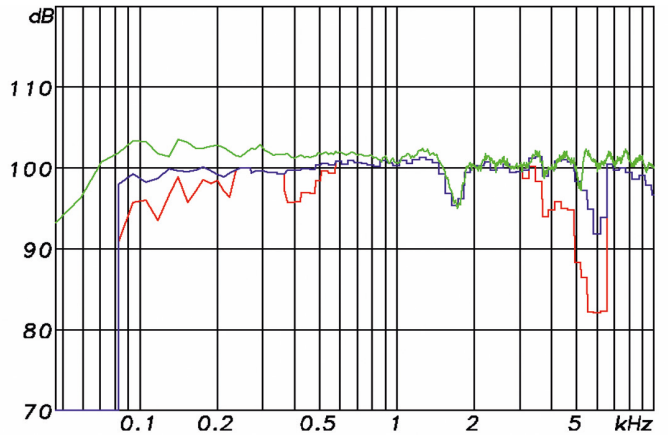
DE 170 Polar / DE 170 Q Polar In-Wall / In-Ceiling Speaker

Measuring Diagram

DE 170 Polar Sens. 2,83V/1m: 82,3 db (100-10k) 63 Hz - 20 kHz (-6 dB) half space



DE 170 Polar max. SPL @ 3% and 10% distortion threshold 80 W max. Power



DE 170 Polar half space Directivity Plot

