

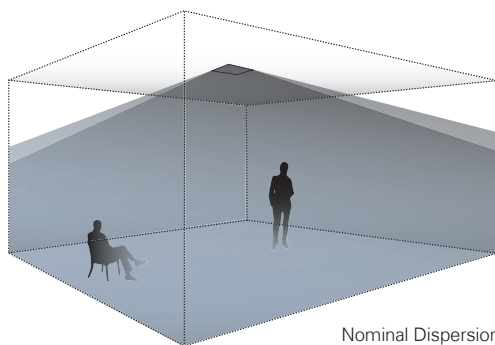


DE 200 ST Polar / DE 200 STQ Polar In-Wall / In-Ceiling Speaker

Description

Sophisticated in-ceiling stereo speaker with high power capacity and Polar® technology. The DE 200 ST Polar is designed to connect to an amplifier with stereo output in multi-room systems.

The DE 200 ST Polar is ideally suited to smaller rooms or zones, where only one speaker is required. The perfect omnidirectional behavior typical of Polar® speakers and the precise tonal balance of the 6.5"/2 × 0.75" system with an elaborate crossover ensure a natural, three-dimensional sound experience.



Nominal Dispersion
DE-Speaker (In-Ceiling Installation)

Special Features

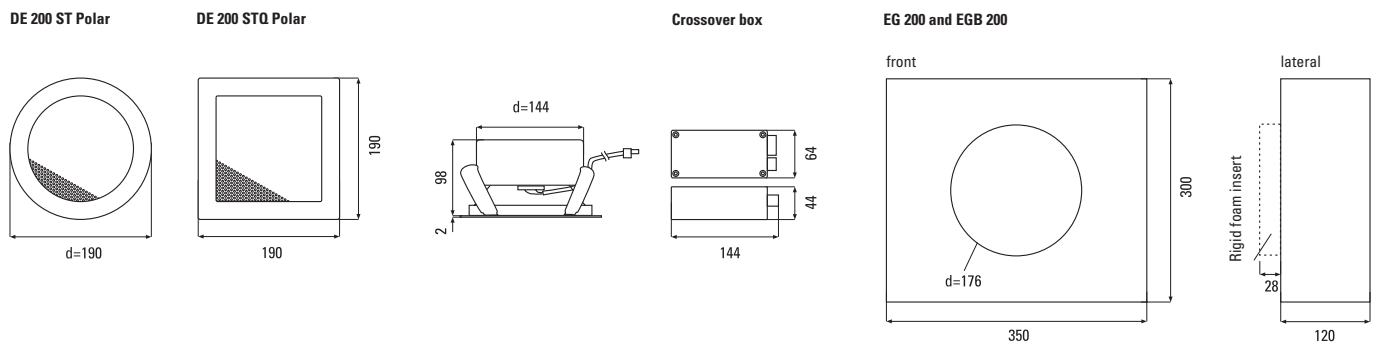
- Stereo in-ceiling speaker with Polar® technology
- 180° dispersion
- Angled tweeter array
- Very linear frequency response
- Small dimensions and installation depth
- 6.5" woofer + 2 × 0.75" dome tweeter
- 2 × 80 watts power capacity
- Round or square
- Standard finish: white or stainless steel
- Moisture proof

Fields of Application

- Conference rooms
- Exhibitions, trade fairs
- Gastronomy, hotels
- Home audio
- Media rooms
- Shops, sales rooms

DE 200 ST Polar / DE 200 STQ Polar In-Wall / In-Ceiling Speaker

Dimensions



Technical Data

Principle	2-way stereo speaker with Polar® technology and crossover in separate box
Components	6,5" woofer + 2 × 0,75" dome tweeter
Frequency range	54 Hz – 21 kHz
Power capacity	RMS 2 × 40 watts, program 2 × 80 watts
Sensitivity	86 dB SPL (1 W@1 m), half-space (flush-mounted)
Maximum SPL	108 dB @1 m
Nominal dispersion	180°
Dimensions	DE 200 ST Polar: Ø 190 mm, DE 200 STQ Polar: 190 × 190 mm
Cutout size	Ø 176 mm
Installation depth	98 mm
Weight	2.1 kg
Connectors	Screw type terminals, pluggable
Warranty	5 years



Model

Version

DE 200 ST Polar White	Round, RAL 9016
DE 200 ST Polar Stainless Steel	1.4301, brushed
DE 200 STQ Polar White	Square, RAL 9016
DE 200 STQ Polar Stainless Steel	1.4301, brushed

Other colours and versions on request

Accessories

EG 200		Backbox Dim.: 350 × 300 × 120 mm
EGB 200		Backbox for concrete Dim.: 350 × 300 × 120 mm

DE 200 ST Polar / DE 200 STQ Polar In-Wall / In-Ceiling Speaker

Measuring Diagrams

DE 200 ST Polar Sens. 2,83V/1m: 86 db (100-10k) 54 Hz - 20 kHz (-6 dB) half space

