

DE 300 CDR In-Wall Speaker

Description

High-end, in-wall speaker with a defined dispersion angle of 80°. This sophisticated 3-way system was developed as a front speaker (l, r, center) for home audio systems and media rooms. The 6.5" low-mid driver is equipped with a coaxial 1" tweeter with waveguide and de:shape®, which ensures controlled sound dispersion with constant directivity characteristics.

Thanks to its precise balance, the DE 300 CDR has a highly linear frequency response with a powerful low frequency range and natural sound pattern, even at high levels. Due to its directivity, the DE 300 CDR can reproduce speech very clearly even in rooms with long reverberation times. The DE 300 CDR comprises three parts (assembly frame, speaker unit with internal crossover and front grille) and is installed from the front through the installation opening.



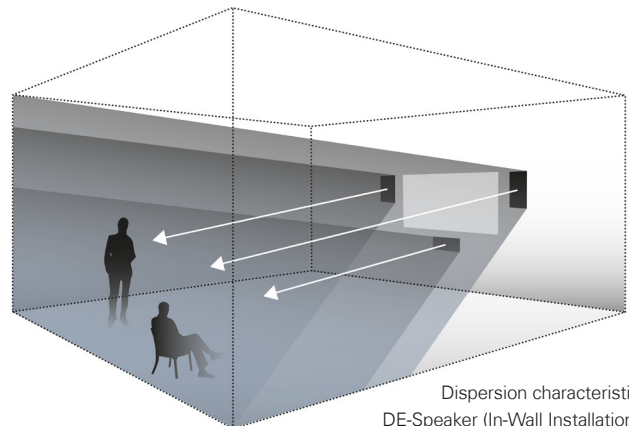
de:shape®

Special Features

- 3-way system with CD characteristic
- 80° dispersion
- High speech intelligibility
- 6.5" woofer + 6.5" low-mid woofer
- + 1" tweeter waveguide with de:shape®
- 240 watts power capacity, 4 ohms
- Very linear frequency response
- Standard finish: white or stainless steel
- Moisture proof

Fields of Application

- Conference rooms
- Clubs, discotheques
- Gastronomy, hotels
- Home audio
- Media rooms
- Shops, sales rooms
- Surround systems

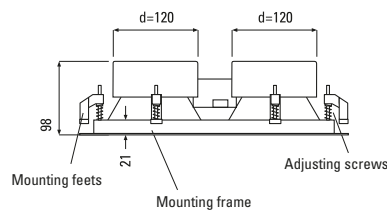
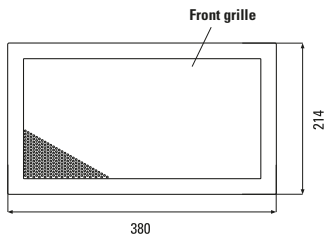


Dispersion characteristic
DE-Speaker (In-Wall Installation)

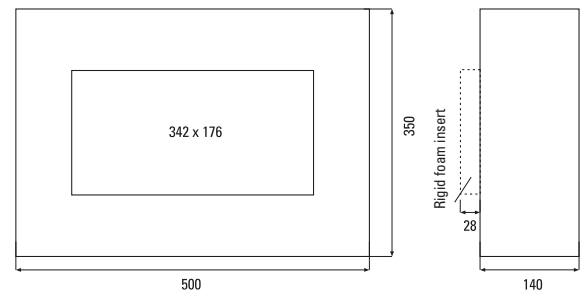
DE 300 CDR In-Wall Speaker

Dimensions

DE 300 CDR



EG 200 and EGB 200



Technical Data

Principle	3-way in-wall speaker with CD characteristic and internal crossover
Components	6.5" woofer + 6.5" low-mid woofer + 1" tweeter waveguide with de:shape®
Frequency range	52 Hz – 21 kHz
Impedance	4 ohms
Power capacity	RMS 120 watts, program 240 watts
Sensitivity	89 dB SPL (1 W@1 m), half-space (flush-mounted)
Maximum SPL	112 dB @ 1 m
Nominal dispersion	80°
Dimensions	380 × 214 mm
Cutout size	342 × 176 mm
Installation depth	98 mm
Wall / ceiling thickness	6–30 mm
Weight	3.8 kg
Connectors	Screw type terminals, pluggable
Warranty	5 years

Model

Version

DE 300 CDR White	RAL 9016
DE 300 CDR Stainless Steel	1.4301, brushed

Other colours and versions on request

Accessories

EG 300



Back box
Dim.: 500 × 350 × 140 mm

EGB 300



Back box for concrete
Dim.: 500 × 350 × 140 mm

DE-X-Tool

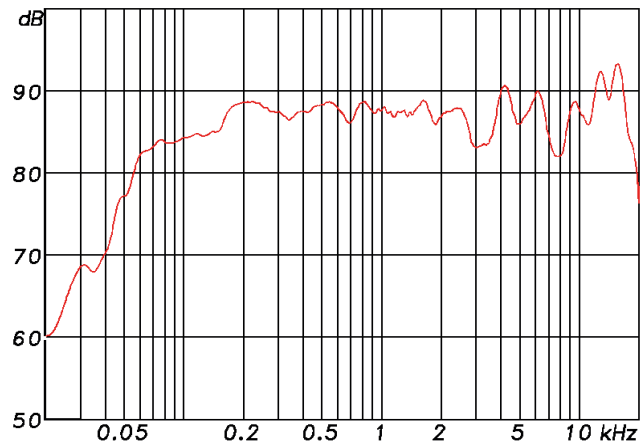


Magnetic holder for effortless insertion and removal from DE 300 front grille

DE 300 CDR In-Wall Speaker

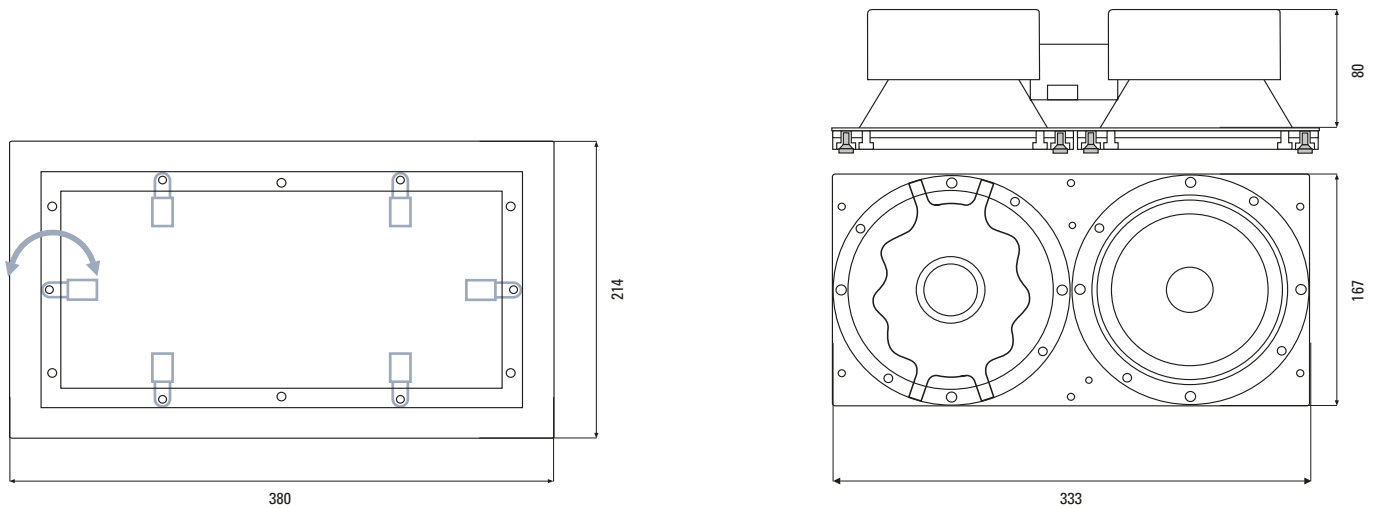
Measuring Diagram

DE 300 CDR Sens. 2,83 V/1m: 89 dB 52 - 20000 Hz (-6 dB) half space

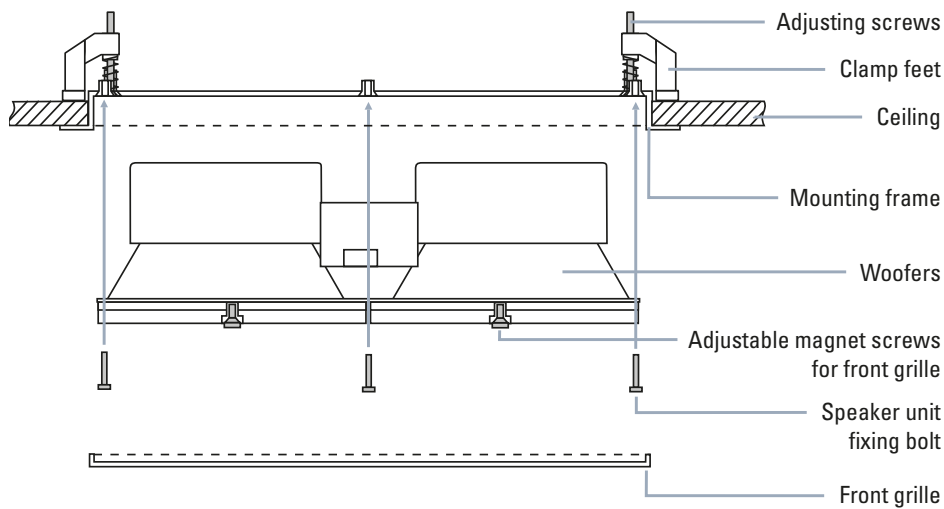


DE 300 CDR In-Wall Speaker

Assembly frame with swiveling mounting feet



Installation (In-Wall)



Installation steps:

1. Slice cutout size in drywall surface
(in massive walls / ceilings insert back box from EG Series)
2. Implement mounting frame with clamp feet, swivel clamp feet outwards
3. Tighten adjustable screws till frame is fixed
4. Connect and install speaker unit
5. Install front grille and if necessary readjust variable magnetic screws