



DE Plan 200 Invisible Speaker



Description

The DE Plan 200® is a compact, 2-way flat transducer which, once installed, remains completely invisible in walls or ceilings. As a result of the patented constructional principle of the DE Plan series, with which it is possible to achieve a homogeneous deflection of the flat membrane, the DE Plan 200 has, despite small dimensions, a very wide frequency range with good frequency response.

de:shape: the membrane of the DE Plan 200 has an optimized contour with a calculated distribution of distance between the edge and the high frequency driver (patent pending).

This results in unprecedented audio performance and extremely accurate sound reproduction.

The elaborately tuned crossover ensures a warm, transparent acoustic pattern. The DE Plan 200 offers high-quality music and precise speech reproduction and is hence equally suited for home audio as well as media rooms and gastronomy.

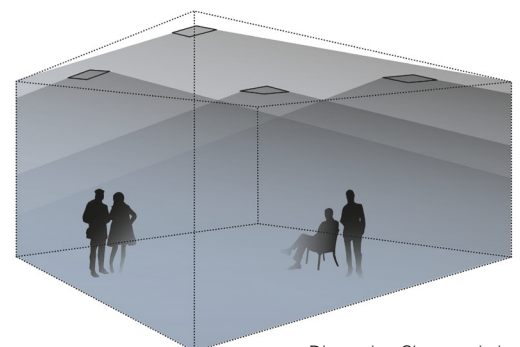
The wide dispersion angle of 180° permits, with a few speakers, a completely homogeneous sound distribution in the room. The DE Plan 200 is mounted from the front in hollow dry lining walls and ceilings. In solid walls or concrete ceilings the EGB 200 Plan back box is installed beforehand. First the transducer is mounted, then the membrane is lined with the provided glass fiber fabric, plastered and coated with wall paint.

Key Features

- Invisible flat transducer
- 180° dispersion
- Very linear frequency range
- Small mounting dimension (300 × 240 mm)
- 4" woofer + 1" high frequency driver
- 80 watts power capacity
- 8 ohms or 100 V versions

Fields of Application

- Home Audio
- Surround systems
- Media rooms
- Gastronomy, hotels
- Shops, sales rooms
- Exhibitions, trade fairs
- Museums



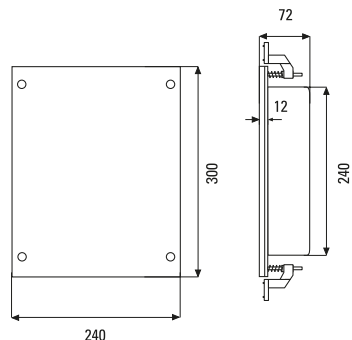
Dispersion Characteristic
DE Plan Speaker (In-Ceiling Installation)

DE Plan 200 Invisible Speaker

Dimensions

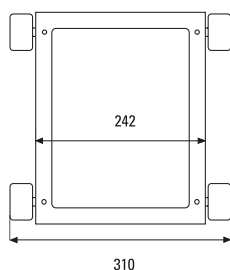
DE Plan 200

front

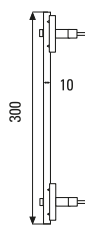


Assembly Frame MR 200

front

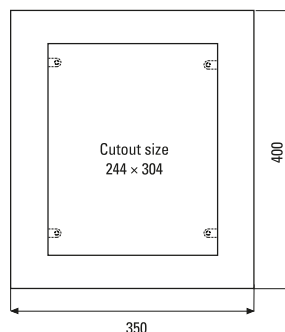


lateral



Back Box EG Plan 200 and EGB Plan 200

front



lateral



Technical Data

Principle	2-way flat transducer
Components	4" woofer + 1" high frequency driver
Frequency range	70 Hz – 20 kHz (2 x paint-coated)
Impedance	8 ohms
Power capacity	40 watts RMS, 80 watts program
Sensitivity	81 dB (1 W @ 1 m) half-space (flush-mounted)
Maximum SPL	99 dB @ 1 m
Nominal dispersion (H x V)	180° conical
Dimensions (H x W x D)	300 x 240 x 72 mm incl. mounting feet: 300 x 310 mm
Cutout size	304 x 244 mm
Wall /ceiling thickness	10 – 35 mm (inkl. back box)
Installation depth	72 mm
Weight	2.8 kg
Connectors	Screw-type terminals, pluggable
Warranty	5 years

Model

Version

DE Plan 200	Complete incl. assembly frame, glass fiber fabric and adhesive
DE Plan 200 T	100 V version, power 7.5/15/30 watts

Accessories

EG Plan 200		Back box Dim.: 400 x 350 x 100 mm
EGB Plan 200		Back box for concrete Dim.: 400 x 350 x 100 mm

Spare Parts

MR 200		Assembly frame
---------------	---	----------------

DE Plan 200 Invisible Speaker

Diagram

DE Plan 200 Sens. @ 2, 83V/1m

